

# Auxiliary power supply 75 kVA / 0+20+20 kW



- Auxiliary power supply for rail vehicles
- Integrated scalable battery charger
- Lightweight and compact design thanks to medium-frequency electrical isolation
- Easy maintenance due to modular design
- Low noise thanks to continuously speed-controlled fan
- Communication with the train via IP, CAN Open or MVB
- Parallel connection of DC outputs possible by means of optional decoupling diode

**Reference: Metro cars of BTS Bangkok, Thailand and metro train platform Inspiro**



**POWERTECH**

# TECHNICAL DATA

TYPE: AU 57x

## ELECTRICS

### DC Input

Rated voltage	750 V DC
Operation range	500 V ... 975 V DC

### AC Output

Rated voltage	3 x 400 V AC $\pm$ 5%
Frequency	50 Hz $\pm$ 1% with U/f start
Rated power	75 kVA, $\cos \varphi = 0.8$
THD	< 5%

### DC Output AU 570

Without DC output

### DC Output AU 572 V1

Rated voltage	110 V DC $\pm$ 1%
Max. current	166 A
Charging current	adjustable via software
Rated power	20 kW

### DC Output AU 574

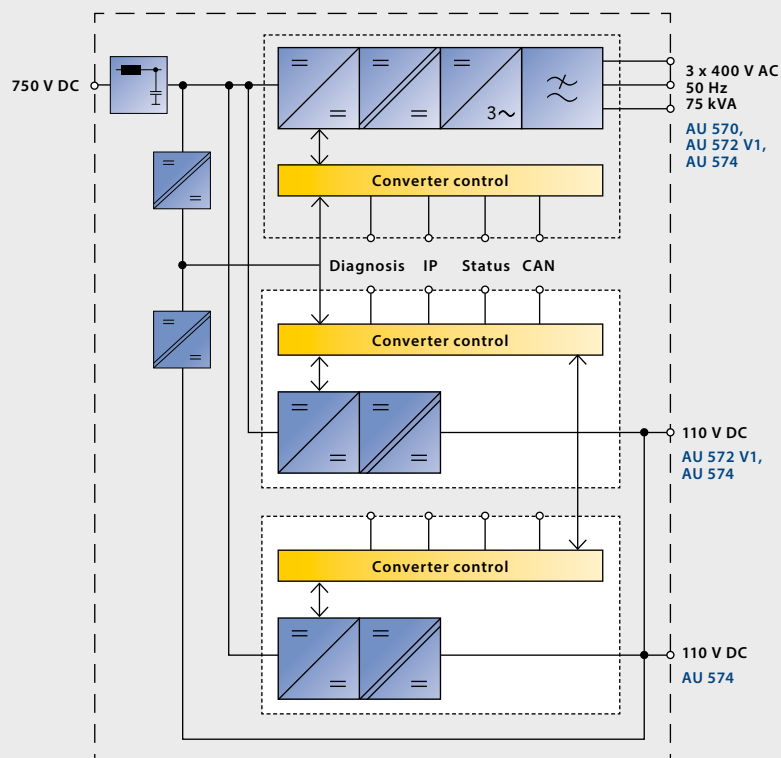
Rated voltage	110 V DC $\pm$ 1%
Max. current	333 A
Charging current	adjustable via software
Rated power	40 kW

Overall efficiency	> 90%
--------------------	-------

## MECHANICS

Dimensions (length x width x height)	2000 x 750 x 630 mm
Weight AU 570	370 kg
Weight AU 572	400 kg
Weight AU 574	430 kg
Mounting position	Underfloor
Cooling	Forced air cooling
Protection	IP54
Temperature range	-25 ... +45 °C

## BLOCK DIAGRAM



### Knorr-Bremse Powertech GmbH

Am Borsigturm 100  
13507 Berlin, Germany  
Tel.: +49 30 297725 0  
info.berlin@kb-powertech.com

### Knorr-Bremse Powertech GmbH & Co. KG

Ohmstraße 1  
83607 Holzkirchen, Germany  
Tel.: +49 8024 990 0  
info.holzkirchen@kb-powertech.com

### Knorr-Bremse Powertech Corp. USA

300 International Drive, Suite 2  
Mount Olive, New Jersey 07828, USA  
Tel.: +1 973 527 6060  
info.usa@kb-powertech.com

### Knorr-Bremse Powertech China

Building 4, Jingxi Industry Park  
2 Jingui Road, Hudai Town, Binhu District  
214161 Wuxi, Jiangsu Province, PR China  
Tel.: +86 510 6888 0513  
info.china@kb-powertech.com

sales@kb-powertech.com  
WWW.KB-POWERTECH.COM  
WWW.KNORR-BREMSE.COM