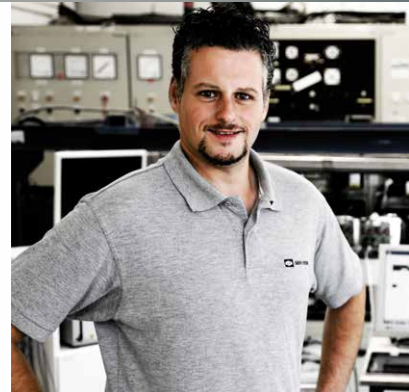


# Auxiliary power supply 65 kVA / 10 kW



- Auxiliary power supply for supplying an AC grid in a rail vehicle with integrated battery charger
- Independent power modules with complete instrumentation and control intelligence
- Wide input voltage range
- Emergency start device
- Bus connection via Ethernet and MVB
- Low noise emission
- Compact and lightweight design
- High level of serviceability through modular design

**Reference: Light rail vehicle type P3010 of LACMTA Los Angeles, USA**



**POWERTECH**

# TECHNICAL DATA

TYPE: UF1698\_65FU

## ELECTRICS

### DC Input

Rated voltage	750 V DC
Operation range	500 - 1000 V DC

### AC Output

Rated voltage	3 x 208 V AC $\pm$ 5%
Frequency	60 Hz $\pm$ 2% with U/f start
Rated power	65 kVA, $\cos \varphi = 0.8$
THD	< 5%

### DC Output

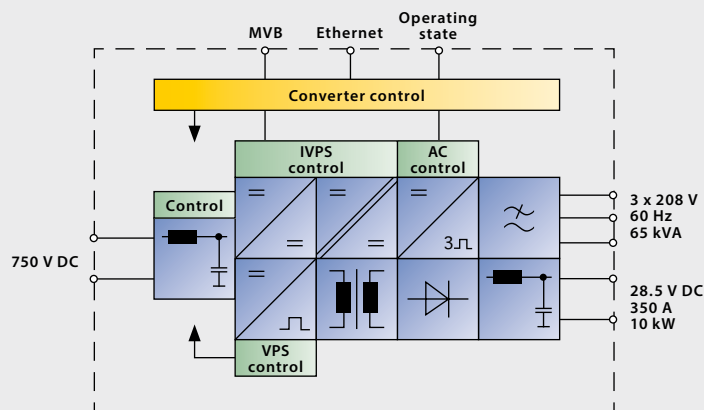
Rated voltage	28,5 V DC $\pm$ 1.5%
Max. current	350 A
Charging current	50 A
Rated power	10 kW

Overall efficiency	> 90%
--------------------	-------

## MECHANICS

Dimensions (length x width x height)	2000 x 850 x 550 mm
Weight	465 kg
Mounting position	Under-floor
Cooling	Forced air cooling
Protection	IP65 with ventilation pipe
Temperature range	-25 ... +46 °C

## BLOCK DIAGRAM



### Knorr-Bremse Powertech GmbH

Am Borsigturm 100  
13507 Berlin, Germany  
Tel.: +49 30 297725 0  
info.berlin@kb-powertech.com

### Knorr-Bremse Powertech GmbH & Co. KG

Ohmstraße 1  
83607 Holzkirchen, Germany  
Tel.: +49 8024 990 0  
info.holzkirchen@kb-powertech.com

### Knorr-Bremse Powertech Corp. USA

300 International Drive, Suite 2  
Mount Olive, New Jersey 07828, USA  
Tel.: +1 973 527 6060  
info.usa@kb-powertech.com

### Knorr-Bremse Powertech China

Building 4, Jingxi Industry Park  
2 Jingui Road, Hudai Town, Binhu District  
214161 Wuxi, Jiangsu Province, PR China  
Tel.: +86 510 6888 0513  
info.china@kb-powertech.com

sales@kb-powertech.com  
WWW.KB-POWERTECH.COM  
WWW.KNORR-BREMSE.COM